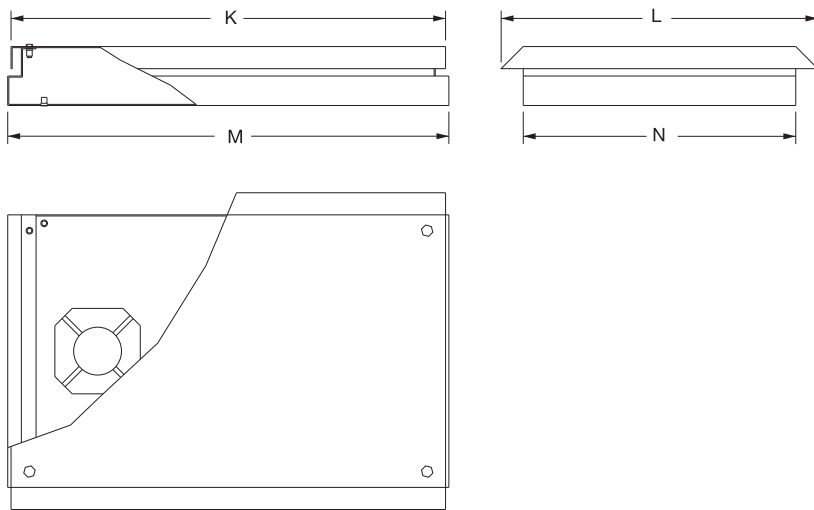


**Roof-Mounted Fan Units**

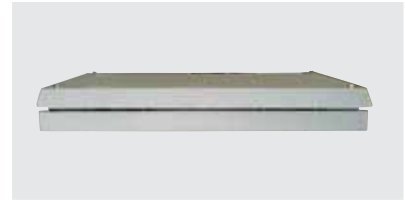
**TH Series**

| Compatible Enclosures* |              | Roof-Mounted Fan Units Reference No | Number of Fans | Sizes  |        |        |        |
|------------------------|--------------|-------------------------------------|----------------|--------|--------|--------|--------|
| Width A (mm)           | Depth C (mm) |                                     |                | K (mm) | L (mm) | M (mm) | N (mm) |
| 400                    | 400          | <b>TH040402</b>                     | 2              | 390    | 330    | 400    | 270    |
|                        | 500          | <b>TH040502</b>                     | 2              | 390    | 430    | 400    | 370    |
|                        | 600          | <b>TH040602</b>                     | 2              | 390    | 530    | 400    | 470    |
| 600                    | 400          | <b>TH060402</b>                     | 2              | 590    | 330    | 600    | 270    |
|                        | 500          | <b>TH060502</b>                     | 2              | 590    | 430    | 600    | 370    |
|                        | 600          | <b>TH060603</b>                     | 3              | 590    | 530    | 600    | 470    |
| 800                    | 400          | <b>TH080402</b>                     | 2              | 790    | 330    | 800    | 270    |
|                        | 500          | <b>TH080502</b>                     | 2              | 790    | 430    | 800    | 370    |
|                        | 600          | <b>TH080603</b>                     | 3              | 790    | 530    | 800    | 470    |

\* Compatible series : **AS, EC, PC**; fitted in instead of upper panel of enclosure.



**Material** : Sheet steel 1.5 mm, powder coating (RAL 7035w).



**TF Series**

| Roof-Mounted Fan Units Reference No | Dimensions H x W x D (mm) | Airflow Volume (m <sup>3</sup> /h) | Voltage (V <sub>AC</sub> ) | Freq. (Hz) | Power (W) | Noise Level dB(A) |
|-------------------------------------|---------------------------|------------------------------------|----------------------------|------------|-----------|-------------------|
| <b>TF 011</b>                       | 100 x 350 x 350           | 650                                | 230                        | 50         | 65        | 68                |
| <b>TF 021</b>                       | 100 x 350 x 350           | 860                                | 230                        | 50         | 100       | 73                |

**Material** : Sheet steel 1.5 mm, powder coating (RAL 7035w).



**19" Rack Mounted Fan Units**

| Reference No      | Height units* | Number of Fans |
|-------------------|---------------|----------------|
| <b>PEC FR1031</b> | 1 U           | 3              |
| <b>PEC FR1061</b> | 1 U           | 6              |

\*1U: 44.45 mm

**Material** : Sheet steel 1.5 mm, powder coating (RAL 7035w).

