

PWS-980

13.3" Fully-Rugged Notebook with Intel® Core™ i7 processor



Windows 7

Features

- New 2nd generation 2.2GHz Intel® Core™ i7 processor
- New sunlight-viewable DynaVue® II touchscreen display technology
- IP65 certified against dust and water intrusion
- MIL-STD-461F compliant for electromagnetic emission and susceptibility
- MIL-STD-810G certified (48" drop, shock, vibration, blowing rain, sand and dust, water pressure, drip exposure, altitude, freeze/thaw, high/low temperature, temperature shock, humidity, explosive atmosphere, salt fog, contamination by fluids, solar radiation, fungus, acoustic noise, acidic atmosphere, gunfire shock)
- Withstands the punishing 48-inch drop military specification
- UL 1604 Class 1, Division 2 compliant for safe use in potentially explosive environments
- Fully Sealed I/O Ports

Introduction

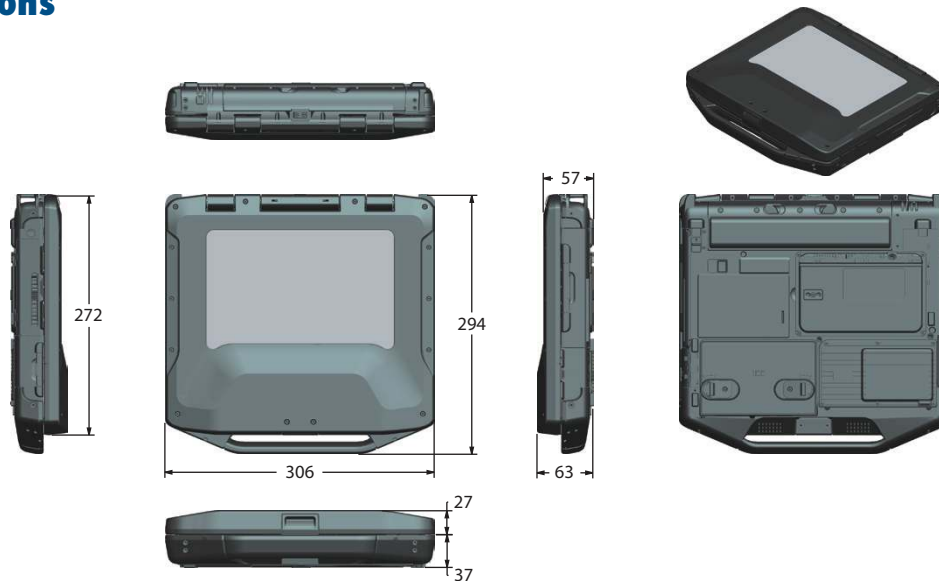
Small and lightweight in design, the high performance PWS-980 fully-rugged notebook provides the reliability, power, connectivity and security required to withstand extreme environments. PWS-980 is certified to meet MIL-STD-810G, MIL-STD-461F and IP65 specifications. It is equipped with a 13.3" LCD featuring the new sunlight-viewable DynaVue II touchscreen display technology. With a 2nd generation Intel® Core™ i7 processor, PWS-980 delivers powerful performance and keeps you connected with 802.11a/b/g/n, Bluetooth and state-of-the-art GPS tracking technology.

Specifications

Processor	CPU	2nd generation Intel® Core™ i7-2655LE vPro™ processor	
	Companion Chipset	Intel® QM67 video controller Intel® HD Graphics 3000	
Memory		4GB SDRAM (DDR3/1333MHz) expandable to 8GB	
Storage		500GB hard disk drive (HDD) with heater	
		256GB solid state drive	
Audio System		Realtek ALC 272	
Display	Size/ Type	13.3" LED-backlit LCD with new sunlight-viewable DynaVue® II technology	
	Max. Resolution	XGA 1024 x 768	
	Brightness (cd/m²)	650 cd/m² LED back light	
Touch Panel		4-wire Resistive touch panel	
Application Buttons		1 x power button	
		1 x radio switch	
		1 x application launch key	
		1 x touchpad	
		2 x touchpad buttons	
		1 x keyboard	
I/O Ports		1 x USB 3.0	1 x microphone (mini-jack)
		2 x USB 2.0	1 x DC-in jack
		1 X VGA (15-pin)	1 x docking port
		1 x serial (9-pin)	1 x dual external antenna connector
		1 x 10/100/1000 Ethernet (RJ-45)	1 x Smart card slot
		1 x headphones/speaker (mini-jack)	1 x PC card slot
Communication and Device	Standard	10/100/1000 Ethernet LAN	
	Factory Options (optional)	802.11 a/b/g/n WLAN module	
		Bluetooth, v2.1 + EDR class 1	
Dimensions & Weight		GPS	
		CDMA EV-DO Rev A/GSM/GPRS/EDGE/WCDMA/HSPA+	
Power	Battery	Main Li-Ion battery pack (7200mAh) optional media bay 2nd Li-Ion battery pack (3800mAh)	
	Power Adapter	AC adapter (90W, 100-240V, 50/60Hz)	
Environment	Operating Temperature	-37 ~ +63° C	
	Storage Temperature	-55 ~ +75° C	
	Operating Humidity	5%~95%	
OS		Windows 7 Pro	

Dimensions

Unit: mm



Specifications Cont.

Rugged Certificate	IP65 rating 48-inch drop military specification MIL-STD-461E MIL-STD-810F
Certifications	BSMI, CCC

IO Appearance



1. Back Handle Mount
2. DC-in Jack
3. Network Jack (RJ45/LAN)
4. Microphone Jack
5. Audio Out Jack
6. Cooling Fan Exhaust
7. External Monitor Port
8. Smart Card Reader or Express Card Slot Option



9. One USB 3.0 Port
10. Two USB 2.0 Ports
11. Serial Port
12. PC Card Slot
13. Media Bay Combo
14. Back Handle Mount

Ordering Information

Part Number	Description
PWS-980-T10E	13.3" Rugged Notebook with 4 GB RAM, 500GB HDD, Win7 Pro
PWS-980-T20E	13.3" Rugged Notebook with 8 GB RAM, 500GB HDD, Win7 Pro, WLAN/BT/GPS
PWS-980-T30E	13.3" Rugged Notebook with 8 GB RAM, 256GB SSD, Win7 Pro, WLAN/BT/GPS, DVD MULTI/Smart Card, WWAN, FINGERPRINT READER
PWS-980-C10E	13.3" Rugged Notebook with 4 GB RAM, 500GB HDD, Win7 Pro, WLAN/BT
PWS-980-C20E	13.3" Rugged Notebook with 8 GB RAM, 500GB HDD, Win7 Pro, WLAN/BT/GPS, DVD MULTI