

PPC-L62T

6.5" Fanless Panel PC with Intel® Atom™ N455 Processor



Features

- 6.5" TFT VGA LCD (LED Backlight)
- Intel® Atom™ N455 CPU on board
- System memory up to 2GB DDR3 SDRAM
- One CFast socket
- Fanless design and compact size
- Aluminum front bezel
- Dual Gigabit LAN support
- Adjust RS-232/422/485 through BIOS
- Automatic data flow control over RS-485



Introduction

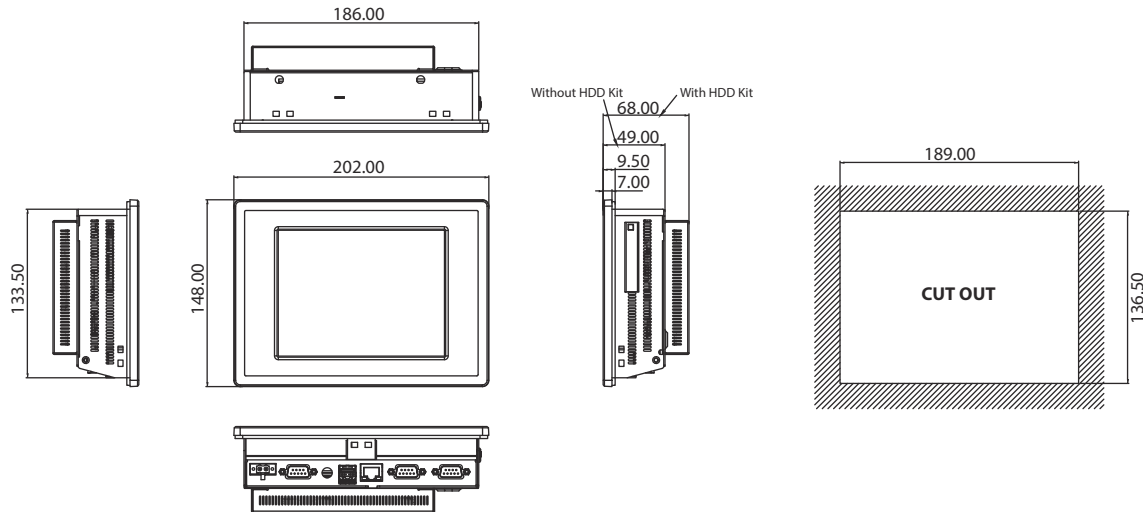
The PPC-L62T is a 6.5" industrial-grade Panel PC for compact applications for machine builders. The PPC-L62T is highly reliable because of its fanless design. The IP65 compliant aluminum front bezel provides excellent protection especially in harsh environments (water and dust). The Dual Gigabit LAN provides reliable communication between machine and control unit and the teaming function enhances fault tolerance and load balancing. PPC-L62T supports the most popular operating systems, such as Microsoft Windows XP, XP Embedded and Windows CE 6.0.

Specifications

Processor system	CPU	Intel Atom N455 1.66GHz Single Core CPU on board
	Memory	SODIMM x 1, DDR3 667, Max 2GB
	2nd Cache Memory	512 KB
	Chipset	Intel ICH8M
	SSD	CFast*1
	HDD	1 x 2.5" external SATA HDD module (Optional)
	I/O Ports	2 x Serial ports: RS-232x1;RS-232/422/485 x1; 4 x USB; 1 x Line-out
	Bus Expansion	1x MINI PCIe
	Network (LAN)	2 x 10/100/1000Mbps Ethernet
	Watchdog Timer	255 timer levels; setup by software
	Dimensions (W x H x D)	202 x 148 x 49 mm (7.9" x 5.82" x 1.92")
Weight	1.5 kg (3.30 lb)	
OS Support	OS Support	Win XPE, Win XP Pro, WES7 32 bit, Win CE 6.0
Power Supply	Input Voltage	15-24VDC
LCD Display	Display Type	6.5" TFT LCD (LED Backlight)
	Max. Resolution	640 x 480
	Colors	262K
	Dot Size (mm)	0.207 x 0.207
	Viewing Angle	80 (left), 80 (right), 70 (up), 70 (down)
	Luminance	700
	Brightness Control	Yes (by BIOS)
	Backlight Lifetime	50,000 hrs
Touchscreen	Touch Type	Analog Resistive 5 wires
	Resolution	2048 x 2048
	Light Transmission	81%
	Controller	RS-232 interface
	Software Driver Supports	Windows 7, XP, CE
	Durability (Touches)	36 million
Environment	Operating Temperature	0 ~ 50°C (32 ~ 122°F)
	Storage Temperature	-20 ~ 60°C (-4 ~ 140°F)
	Relative Humidity	10 ~ 95% @ 40°C (non-condensing)
	Shock	Operating 10 G peak acceleration (11 ms duration), follow IEC 60068-2-27
	Vibration	Operating Random Vibration Test 5-500Hz, 1Grms, follow IEC 60068-2-64
	EMC	BSMI, CE, FCC Class B
	Safety	CB, CCC, BSMI, UL
Front Panel Protection	IP65 compliant	

Dimensions

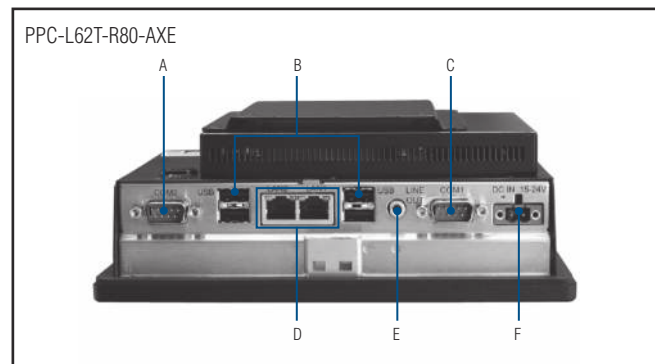
Unit: mm



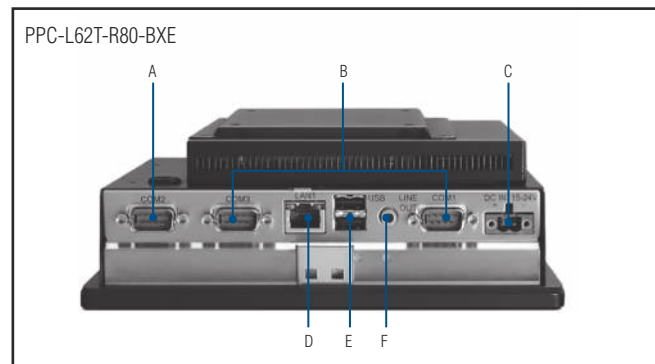
Ordering Information

Part No.	Description
PPC-L62T-R80-AXE	Fanless Atom N455 PPC w/6.5" LCD+Res T/S+2LAN
PPC-L62T-080-AXE	Fanless Atom N455 PPC w/6.5" LCD+2LAN (w/o T/S)
PS-DC19-L157E	19 V _{DC} power adapter module for PPC-L128/ PPC-L157T
1700001524	POWER Cord 3P UL 10A 125V 180cm
170203183C	POWER Code 3P Europe (WS-010+083)183cm
1700008921	POWER CORD 3P/3P POWER SUPPLY 1.8M PSE
PPC-L62T-HDD-EXPE	HDD kit for PPC-L62T
PPC-L62T-WLANE	Wireless LAN Module for PPC-L62T
2070011145	Image WES09 PPC-L62T V4.0 24 multi-languages with SUSI Access
PPC-ARM-A03	PPC ARM VESA Standard
PPC-174T-WL-MTE	Wall mount kit for PPC series
2070011174	Image CE60 Pro PPC-L62T V1.0 ENG with SUSI
2070011418	Image CE6.0 Pro PPC-L62T V1.0 (JPN) with SUSI
2070011441	Image CE 6.0 Pro PPC-L62T V1.0 (Traditional Chinese) with SUSI
2070011675	Image WES7E PPC-L62T V5.1.4 (ENG/JPN/Simplified Chinese/Traditional Chinese), 4 languages with SUSI Access

I/O Appearance



- A. Serial Port (RS-232/422/485)
- B. USB 2.0 x 4
- C. Serial Port (RS-232)
- D. 10/100/1000 Ethernet x 2
- E. Audio Line-out
- F. DC inlet



- A. Serial Port (RS-232/422/485)
- B. Serial Port (RS-232) x 2
- C. DC inlet
- D. 10/100/1000 Ethernet
- E. USB 2.0 x 2
- F. Audio Line-out