

# PPC-L128T

**12.1" Fanless Panel PC with Intel® Atom™ N270 Processor**



## Features

- 12.1" TFT XGA LCD with optional resistive touchscreen
- Embedded Intel® Atom™ processor N270 1.6 GHz
- Supports up to 2 GB DDR2 SDRAM
- Supports one internal SATA 2.5" HDD
- Support 4 USB 2.0 ports, Dual Gigabit Ethernet
- Optional PCI/PCIe x 1 expansion kit
- Fanless and ultra-low power consumption
- Automatic data flow control over RS-485 (COM2)



## Introduction

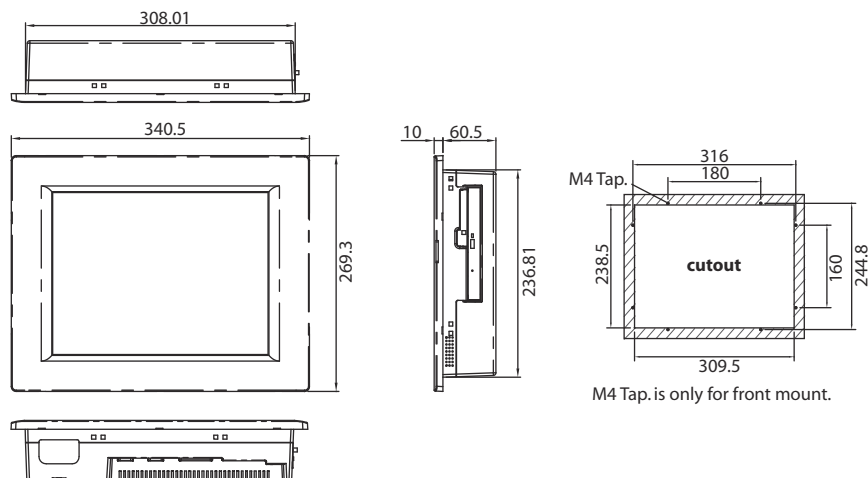
The PPC-L128T is 12.1" Fanless panel PC that delivers high performance while consuming low power. The PPC-L128T operates with low noise and provides display resolutions up to 1024 x 768 (XGA) pixels. The PPC-L128T is equipped with dual Gigabit Ethernet connectors supporting either failover or LAN teaming. Advantech's customization services and optional accessories including wireless modules, battery packs, and SATA optical devices, allowing system integrators to design tailor-made solutions for a host of industrial applications. And PPC-L128T optionally supports a sunlight readable display, making it suitable for outdoor use.

## Specifications

<b>Processor System</b>	CPU	Intel Atom Processor N270 1.6 GHz	
	CPU Front Side Bus	533 MHz	
	Chipset	Intel 945GSE + Intel ICH7M	
	Secondary Cache	512 KB L2 Cache	
	Memory	200-pin DDR2 533 SODIMM x1 Up to 2 GB	
	DVD+/-RW	Optional (989KL128T00E)	
	SSD	Supports one CompactFlash Type II, socket	
	HDD	One internal SATA interface- 2.5" Type	
	Network (LAN)	2 x 10/100/1000 Mbps (RJ-45)	
	Fully Integrated I/O and Speakers	3 Serial Ports: RS-232 x 2, RS-232/422/485 x 1; 1 GPIO port 1 VGA Port ; PS/2 Mouse and Keyboard Line-in/ Line-out/ Mic-in Built-in 1W x 2 speakers, USB 2.0 ports x 4	
	Bus Expansion	1 x expansion slot for PCI/PCIe card 1 x MINI PCIe slot	
	Front Panel Protection	IP65 compliant	
	Weight	3.63 kg (7.98 lb)	
Dimensions (W x H x D)	340.5 x 269.3 x 70.5 mm (13.41" x 10.6 x 2.78")		
<b>OS Support</b>	Win XPE, Win XP Pro, WES7 32 bit, CE 6.0 for R81 only		
<b>Power Supply</b>	12 ~ 24 V <sub>DC</sub>		
<b>LCD Display</b>		<b>PPC-L128T-R80 series</b>	<b>PPC-L128T-R81 series</b>
	Display Type	12.1" Color TFT LCD	12.1" Color TFT LCD (LED backlight)
	Max. Resolution	1024 x 768	1024 x 768
	Colors	262 K	262 K
	Pixel Pitch (mm)	0.240 x 0.240	0.240 x 0.240
	Viewing Angle	160°/160°	160°/160°
	Luminance (cd/m <sup>2</sup> )	450	600
	Brightness Control	N/A	Yes (by BIOS)
Backlight Lifetime	50,000 hours	50,000 hours	
<b>Touchscreen (optional)</b>	Type	Analog Resistive 5 wires (ELO)	Analog Resistive 5 wires (AMT), Anti-Corrosive type
	Resolution	2048 x 2048	2048 x 2048
	Light Transmission	80 %	80 %
	Controller	USB Interface	RS232 Interface (COM4)
Durability (Touches)	35 million	35 million	
<b>Environmental Specifications</b>	Operating Temperature	0-45°C (32-113°F)	
	Relative Humidity	10 ~ 95 % @ 40°C, non-condensing	
	Shock	Operating 10 G peak acceleration (11 ms duration), follows IEC 60068-2-27	
	Vibration	Operating Random Vibration Test 5-500Hz, 1Grms, follow IEC 60068-2-64	
	EMC	CE, FCC Class B, BSMI	
Safety	CE CB, UL, BSMI, CCC, VCCI		

## Dimensions

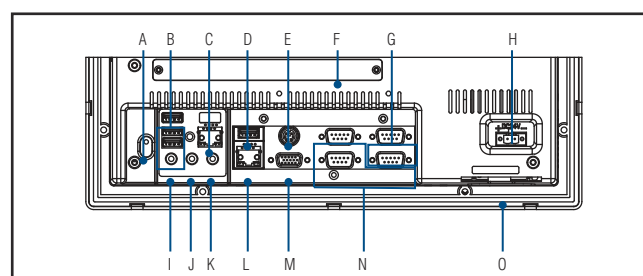
Unit: mm



## Ordering Information

Part NO	Description
PPC-L128T-081-XE	Intel Atom processor N270 1.6 GHz Fanless panel PC with 12.1" TFT LCD (LED backlight)
PPC-L128T-R81-XE	PPC-L128T-081-XE with resistive touchscreen (LED backlight)
PPC-L128T-080-XE	Intel Atom processor N270 1.6 GHz fanless panel PC with 12.1" TFT LCD
PPC-L128T-R80-XE	PPC-L128T-080-XE with resistive touchscreen
PPC-L128T-R80-WXE	PPC-L128T-080-XE with resistive touchscreen (White)
PPC-L128T-RXPE0E	PPC-L128T w/1G Memory/ Windows XPE XPE on 160G HDD
PPC-ARM-A03	VESA Stand ARM for PPC series
PPC-174T-WL-MTE	Wall mount kit for PPC series
PPC-L126 STAND	Stand desktop stand for PPC-L126T/PPC-L127T
PPC-L128-EXPE	PCI/PCle expansion kit for PPC-L128
PS-DC19-L157E	19V DC power adapter module for PPC-L128/PPC-L157
1700001524	Power cord 3P UL 10A 125V 1.8M
170203183C	POWER Code 3P Europe (WS-010+083)183cm
1700008921	POWER CORD 3P/3P POWER SUPPLY 1.8M PSE
989KL128T00E	Slim type DVD-RW Module for PPC-L128
989KL128T02E	Wireless LAN module for PPC-L128T
2070008770	XPE WES2009 PPC-L128T V4.0 24 multi-languages with SUSI Access (R80)
2070010364	CE 6.0 Pro PPC-L128T V1.3 (ENG) with SUSI (R81)
2070010549	XPE WES2009 PPC-L128T V4.0 24 multi-languages with SUSI Access (R81)
2070010816	WES7P SP1 x86 PPC-L128T V5.1 (ENG/JPN/Simplified Chinese/Traditional Chinese), 4 languages with SUSI Access (R81)
2070010817	WES7E SP1 x86 PPC-L128T V5.1 (ENG) with SUSI Access (R81)

## I/O Appearance



- A. Main power switch
- B. USB 2.0 x 3
- C. Ethernet jack
- D. USB 2.0
- E. PS/2 mouse and keyboard
- F. PCI/PCle expansion slot cover
- G. GPIO port
- H. DC inlet
- I. Line-in jack
- J. Line-out jack
- K. Mic-in jack
- L. Ethernet jack
- M. VGA port
- N. Serial ports
- O. Battery door cover