

PPC-4150W

15.6" Fanless Wide Screen Panel PC with Intel Atom Dual-Core Processor



Features

- 15.6" TFT WXGA LED entirely flat panel with projected capacitive or resistive touch touchscreens
- Fanless design and low power consumption
- Supports one internal SATA 2.5" HDD and 1 x mSATA socket
- PCI or PCIe expansion support
- Adjust RS-232/422/485 through BIOS
- Automatic data flow control over RS-485
- Wide Range DC 12~30V support
- One right side USB port
- Front panel compliant with IP65

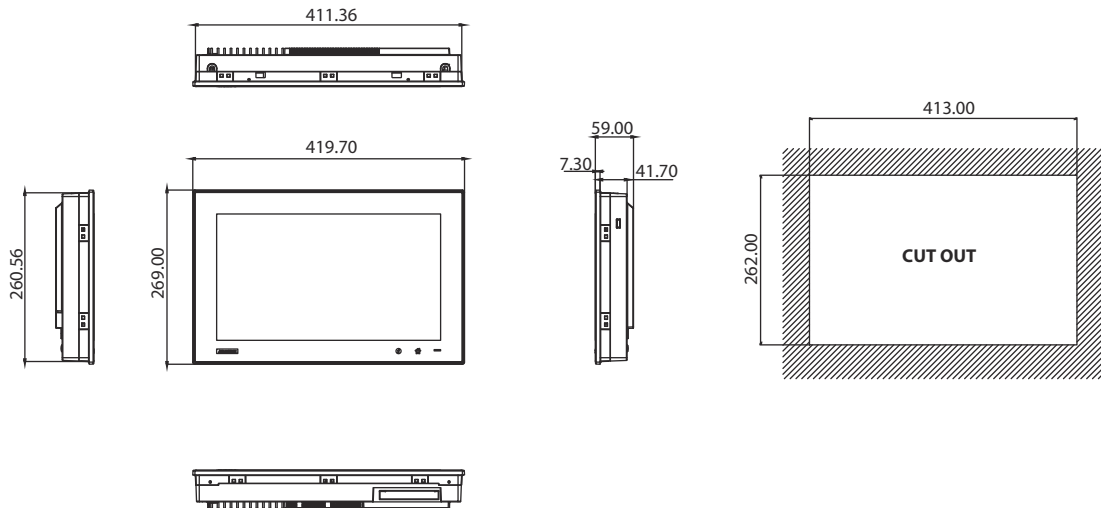


Specifications

Processor system	CPU	Intel Atom D2550 1.86GHz 10W Dual Core CPU on board	
	Memory	SODIMM x 1, DDR3 1066, Max 4 GB	
	2nd Cache Memory	1 MB	
	Chipset	Intel NM10	
	Storage	mSATA x 1	
	HDD	1 x 2.5" SATA HDD Bay (Internal)	
	I/O Ports	4 x Serial ports: 3 x RS-232, 1 x RS-232/422/485 (Adjustable through BIOS) 5 x USB 2.0 ports (4 in Rear, 1 from right side) 1 x Line-out, 1 x MIC-in 1 x DB15 VGA 1 x DB9 GPIO port (8 pin programmable)	
	Bus Expansion	1 x MINI PCIe, 1 x PClex1 or 1 x PCI	
	Network (LAN)	2 x 10/100/1000 Mbps Ethernet	
	Watchdog Timer	255 timer levels; setup by software	
Dimensions	419.7 x 269 x 59 mm		
Weight	5.5 Kg		
OS support	OS Support	Win XP/Win XPE/WES7/Win7/WIN CE.Net/Linux(only supports 32-bit)	
Power supply	Input Voltage	DC 12 ~ 30 V	
	Power consumption	36 W (4 GB DDR3, 2.5" HDD 500G, 4 x RS232 loop back, 3 x USB2.0, mouse ,Windows7 32 bit)	
LCD Display	Display Type	15.6" TFT LCD (LED Backlight)	
	Max. Resolution	1366 x 768	
	Colors	16.7 M colors	
	Dot Size (mm)	0.252 x 0.252	
	Viewing Angle	85 (left), 85 (right), 80 (up), 80 (down)	
	Luminance	300	
	Brightness Control	Yes	
Backlight Lifetime	50,000 hrs		
Touchscreen	Model	PPC-4150W-PAE	PPC-4150W-RAE
	Touch Type	Projected capacitive multitouch 10 point	Resistive single touch
	Light Transmission	88 % ± 2 %	80 % ± 5 %
	Controller	USB interface	USB interface
Environment	Operating Temperature	0 ~ 50°C (32 ~ 122°F)	
	Storage Temperature	-20 ~ 60°C (-4 ~ 140°F)	
	Relative Humidity	10 ~ 95% @ 40°C (non-condensing)	
	Shock Operating	10 G peak acceleration (11 ms duration), follow IEC 60068-2-27	
	Vibration	Operating Random Vibration Test 5~500Hz, 1Grms, follow IEC 60068-2-64	
	EMC	BSMI, CE, FCC Class B	
	Safety	CB, CCC, BSMI, UL	
	Front Panel Protection	IP65 compliant	

Dimensions

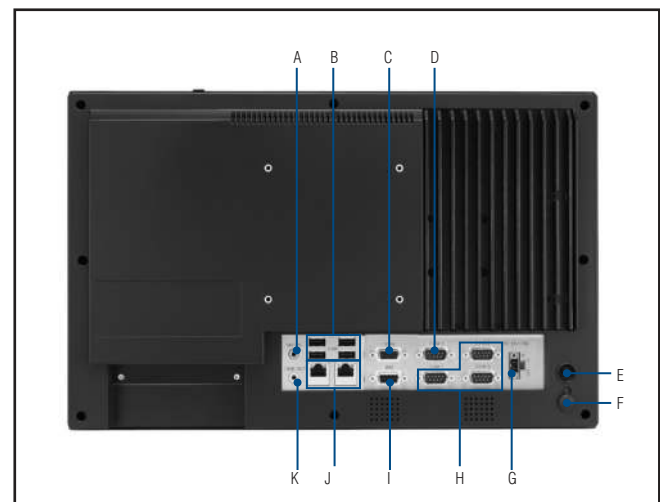
Unit: mm



Ordering Information

Part NO	Description
PPC-4150W-PAE	15.6 Wide screen PPC with PCT Multi-touch, Intel Atom D2550 1.86 GHz
PPC-4150W-RAE	15.6 Wide screen PPC with Resistive touch, Intel Atom D2550 1.86 GHz
PPC-6150-WLANE	Wi-Fi Module with Intel 6205 for PPC Series
PS-DC19-L157E	19V DC power Adapter Module
1700001524	POWER Cord 3P UL 10A 125V 180cm
170203183C	POWER Code 3P Europe (WS-010+083)183 cm
1700008921	POWER CORD 3P/3P POWER SUPPLY 1.8 M PSE
PPC-174T-WL-MTE	Wall mount kit A800B for PPC series
PPC-4150W-STANDE	Desktop stand kit
PPC-ARM-A03	PPC ARM VESA Standard
2070012524	Image Win XPE 32-bit Multi PPC-4150W-P
2070012374	Image WES7P 32-bit Multi PPC-4150W-P

I/O Appearance



- A. Mic-in
- B. 4 x USB 2.0
- C. VGA Port
- D. 1 x RS232/422/485
- E. Power Button
- F. Ground Line
- G. DC Inlet
- H. 3 x RS232
- I. DIO Port
- J. 2 x 10/100/1000 Mbps Ethernet
- K. Line Out