

# ARK-3400

Cost Effective Intel® Celeron® M Solution with 2 PCI Expansion Slots and Multiple I/O

**NEW**



## Features

- Fanless, Intel® Celeron™ M Compact Embedded Box IPC
- Dual display and support for wide screen with high resolution
- Supports 2 GbE, eSATA, 6 USB 2.0 and 4 COM ports
- Internal one 2.5" SATA HDD drive bays
- 2 x PCI expansion slot for diverse applications
- Easy integration, easy maintenance, and wide input voltage range
- Supports 48-Bit LVDS panel (by option)
- Compliant with IP40

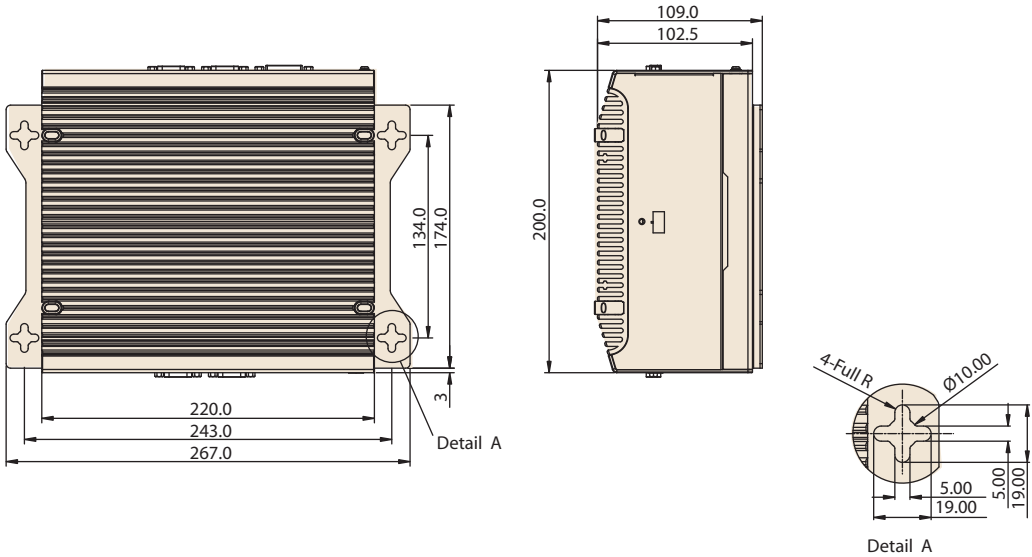


## Specifications

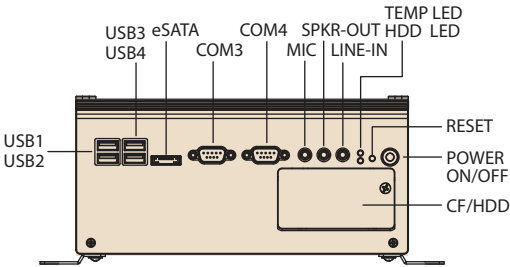
Processor System	CPU	Mobile Intel Celeron	Mobile Intel Celeron
	Max. Speed	370 (1.5 GHz)	373 (1.0 GHz w/o L2 cache)
	System Chipset	Intel 910GMLE + ICH6-M Chipset	
	Front Side Bus	400 MHz	400 MHz
	BIOS	AWARD 4 Mbit, FWH	
Memory	Technology	DDR2 400 MHz (910GMLE)	
	Max. Capacity	2 GB	
	Socket	1 x 200-pin SODIMM	
Graphics	Chipset	Integrated graphics built in Intel 910GMLE, Mobile Intel Graphics Media Accelerator 900	
	Interface	CRT Interface (Optional by cable)	
		DVI Interface, compliant with DVI 1.0	
Ethernet	LAN 1	10/100/1000 Mbps Ethernet controller, supports Wake On LAN	
	LAN 2	10/100/1000 Mbps Ethernet controller, supports Wake On LAN	
Audio	Interface	Line-out, Mic-in, Line-in	
I/O interface	Serial Interface	2 x RS-232 port and 2 x RS-232/422/485 port (RS485 with autoflow control)	
	USB Interface	6 x USB ports, Compliant with USB 2.0	
Other	Digital I/O	Support 16 bit Digital I/O (optional)	
	Thermal Alarm	Yellow LED lighting	
	Watchdog Timer	255 level timer interval, setup by software	
	Expansion	ISA/PCI/PCIe Slot	2 x PCI Slots
Mini PCI/Mini PCIe		1 x Mini PCI	
Storage	HDD	Supports drive bay space for 1 x SATA 2.5" HDD	
	SSD	Supports CompactFlash socket for type I/II CompactFlash disk	
Software Support	Microsoft Windows	Vista, XP Professional, XP Embedded	
	Linux	Fedora 9.0	
Power Requirement	Power Type	AT/ATX	
	Power Input Voltage	14 V <sub>DC</sub> ~ 24 V <sub>DC</sub>	
	Minimum Power Input	14 V-24 V --- 3.0 A-1.8 A	
	Power Adapter	AC to DC, DC19 V/7.89 A, 150 W (Optional)	
Power Consumption	Typical	Typical 21 W (CPU is Mobile Intel Celeron 370 1.5 GHz and w/o expansion)	
	Max.	Max. 26 W (CPU is Mobile Intel Celeron 370 1.5 GHz and w/o expansion)	
Mechanical	Construction	Aluminum housing	
	Mounting	Desk/Wall-mounting	
	Dimensions (W x H x D)	220 mm x 102.5 mm x 200 mm (8.66" x 4.04" x 7.87" )	
	Weight	4 kg (8.8 lb)	
Environment	Operating Temperature	With Industrial Grade CompactFlash disk: -20 ~ 55° C With 2.5-inch extended temperature hard disk -20 to 45° C, with air flow	
	Storage Temperature	-40 ~ 85° C (-40 ~ 185° F)	
	Relative Humidity	95% @ 40° C (non-condensing)	
	Vibration Loading During Operation	With CompactFlash disk: 5 Grms, IEC 60068-2-64, random, 5 ~ 500 Hz, 1 Oct./min, 1 hr/axis. With 2.5-inch hard disk: 1 Grms, IEC 60068-2-64, random, 5 ~ 500 Hz, 1 Oct./min, 1 hr/axis.	
	Shock During Operation	With CompactFlash disk: 50 G, IEC 60068-2-27, half sine, 11 ms duration With hard disk: 20 G, IEC 60068-2-27, half sine, 11 ms duration	
	EMC	CE/FCC Class A, CCC, BSMI	
	Safety Certifications	UL, CCC, BSMI	

**Dimensions**

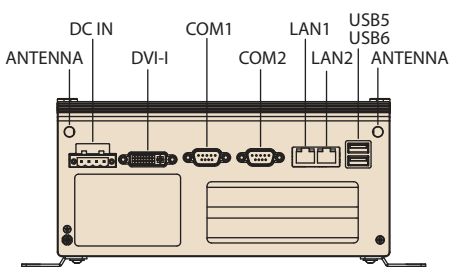
Unit: mm



**Front Panel External I/O Mechanical Layout/Drawing**



**Rear Panel External I/O Mechanical Layout/Drawing**



**Packing List**

Part Number	Description
-	1 x ARK-3400 Unit
1960014487T00C	2 x Desk/Wall mount plate
1652003234	1 x 4-pin Phoenix DC power connector
1654000446	1 x DVI-I to CRT connector
-	1 x Utility CD

**Optional Items**

Part Number	Description
1757002161	AC-to-DC Adapter, DC19 V/7.89 A 150 W, with Phoenix Power Plug, 0 ~ 40° C for Home and Office Use
1702002600	Power cable 3-pin 180 cm, USA type
1702002605	Power cable 3-pin 180 cm, EU type
1702031801	Power cable 3-pin 180 cm, UK type
1700004713	CABLE DVI-I to DVI and CRT
1700009398	LVDS cable for ARK-3400
1700009396	LVDS power cable for ARK-3400
1700009407	Digital I/O cable for ARK-3400
1700009405	Printer cable for ARK-3400

**Ordering Information**

Part Number	Description
ARK-3400F-S5A1E	Celeron M 370 1.5 GHz Compact Embedded Box IPC
ARK-3400F-U0A1E	Celeron M 373 1.0 GHz Compact Embedded Box IPC